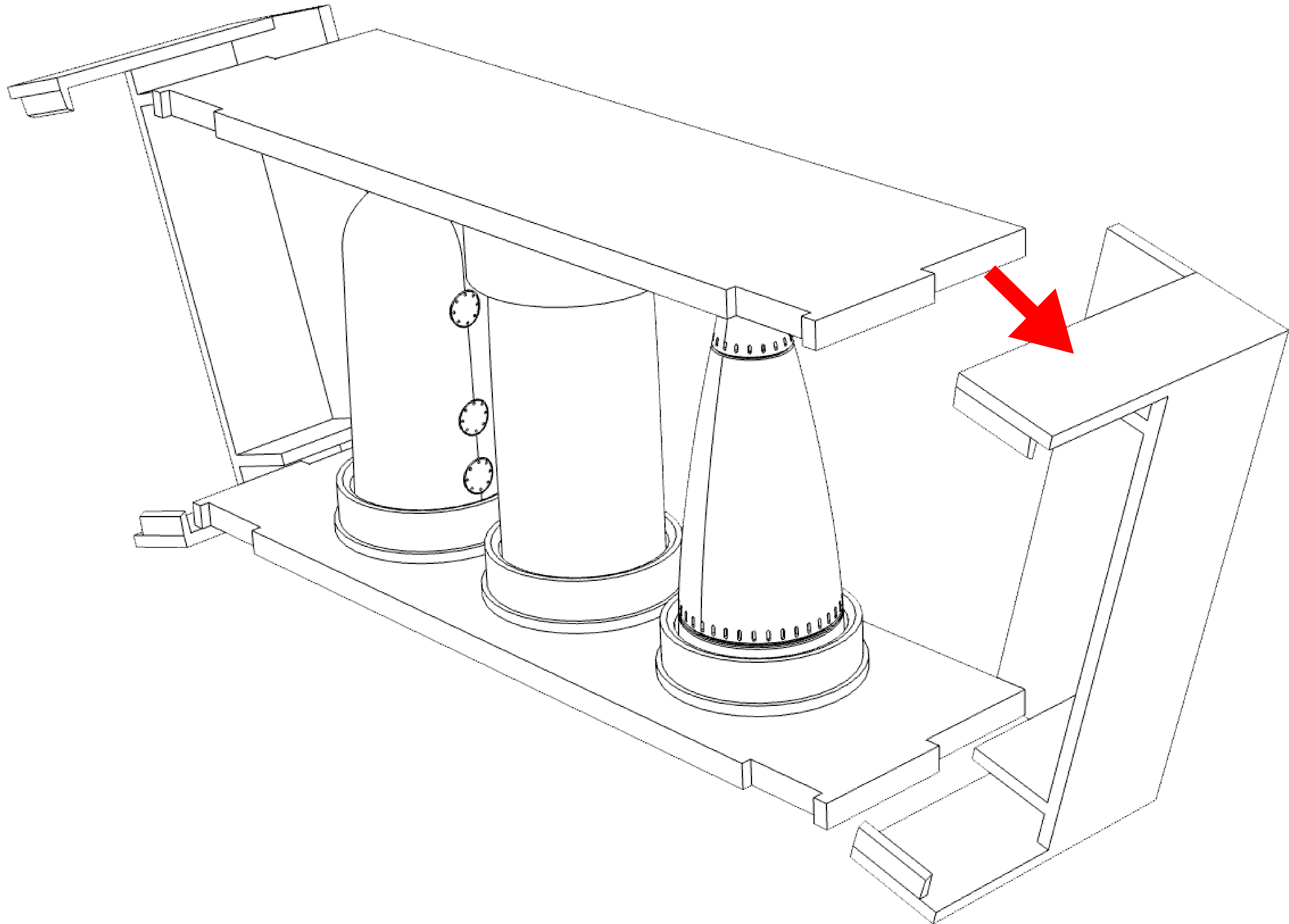


**1/32 Mk.13 Aerial
Torpedo (Ring Tail)**

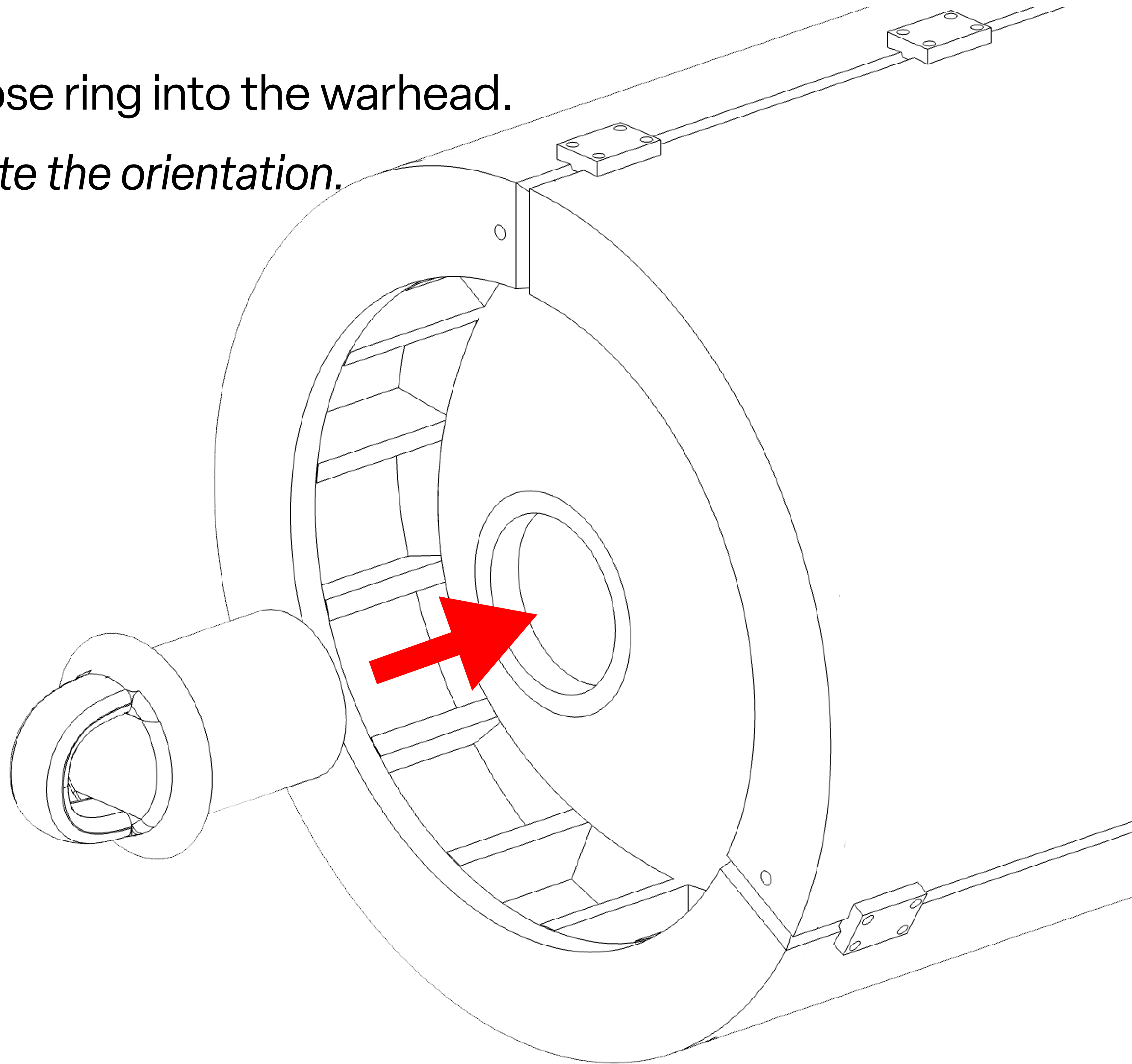
DS132005

- 1.** To remove the torpedo body sections from protective cage, remove the sides first.

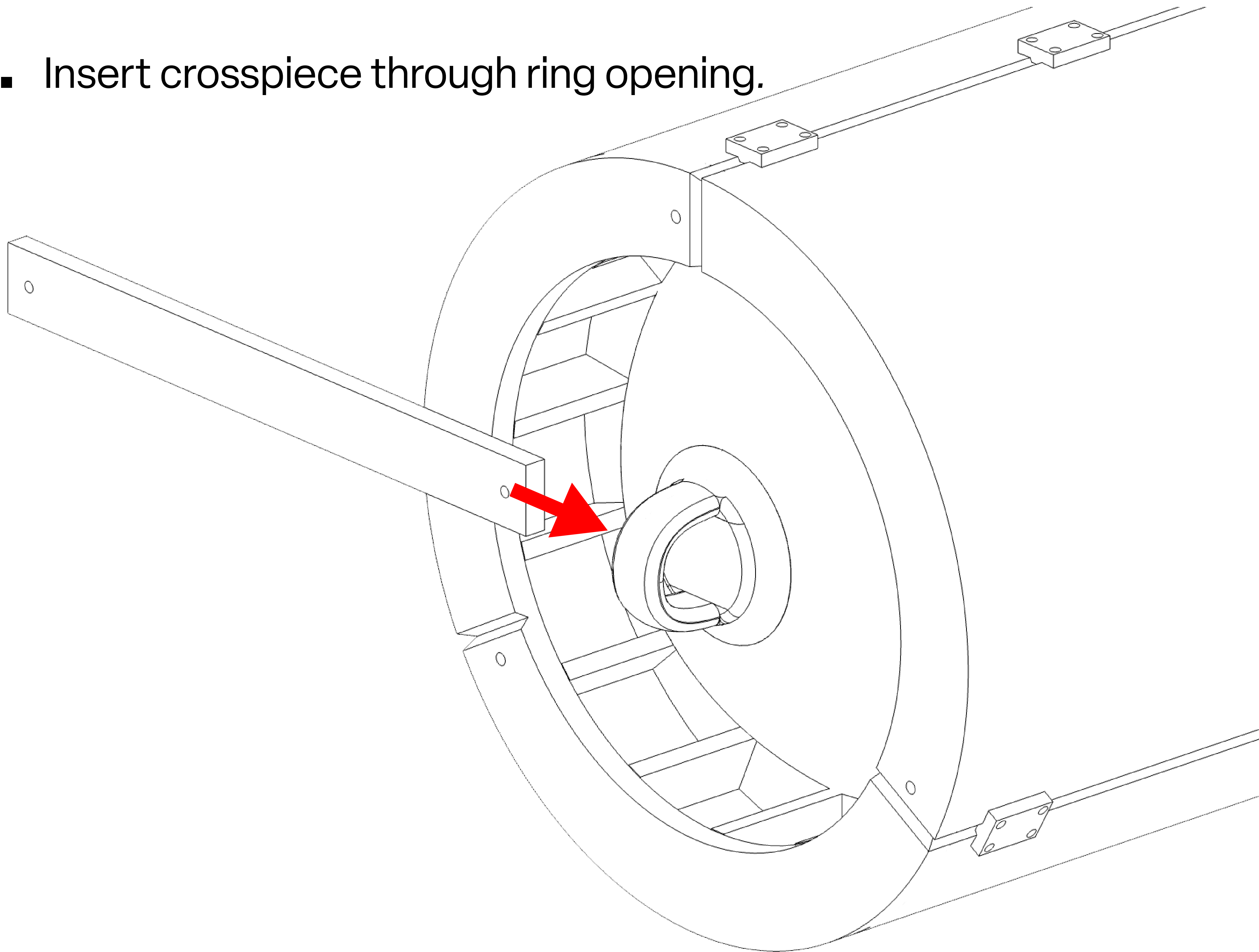


2. Insert the nose ring into the warhead.

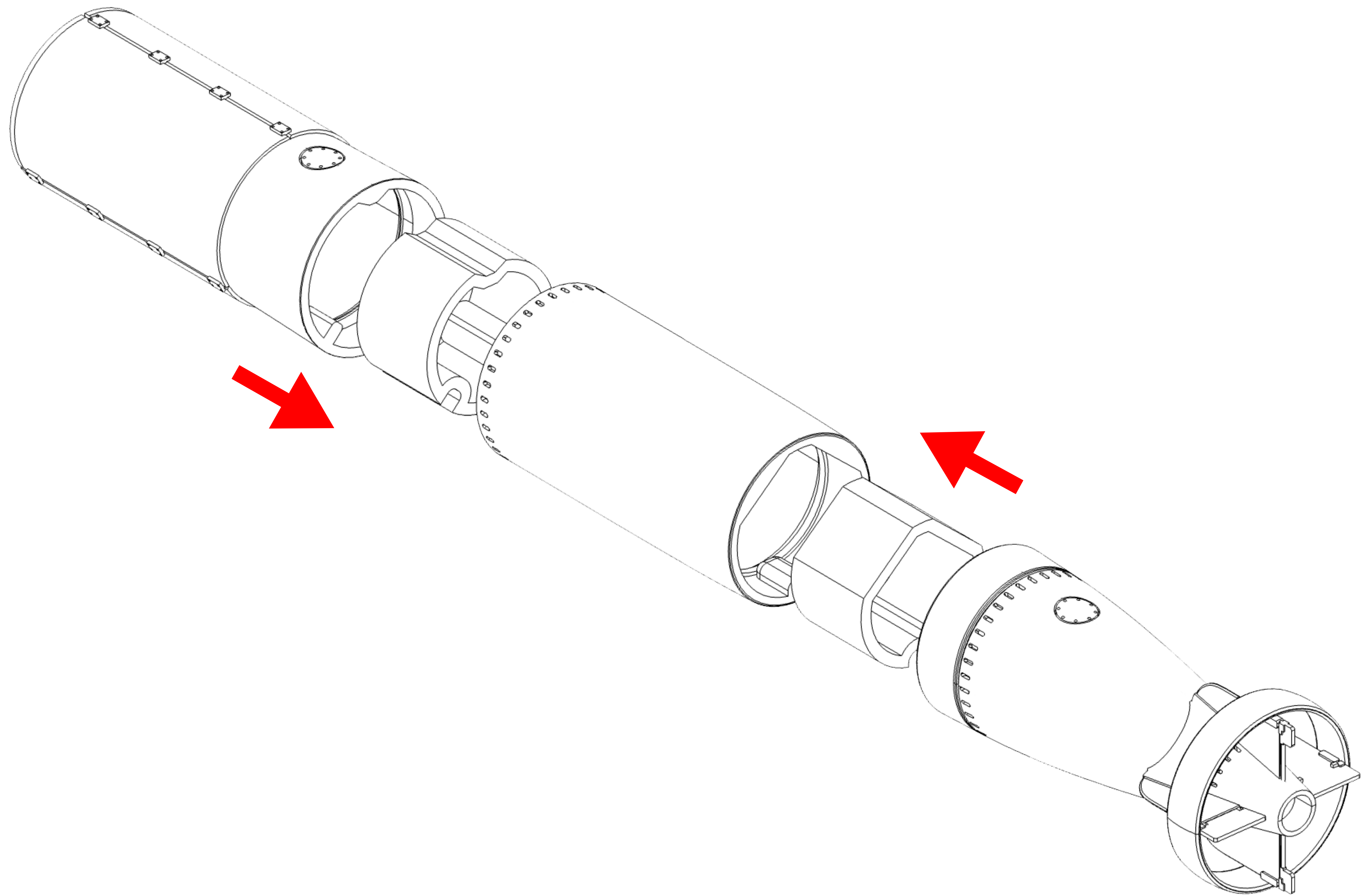
Be sure to note the orientation.



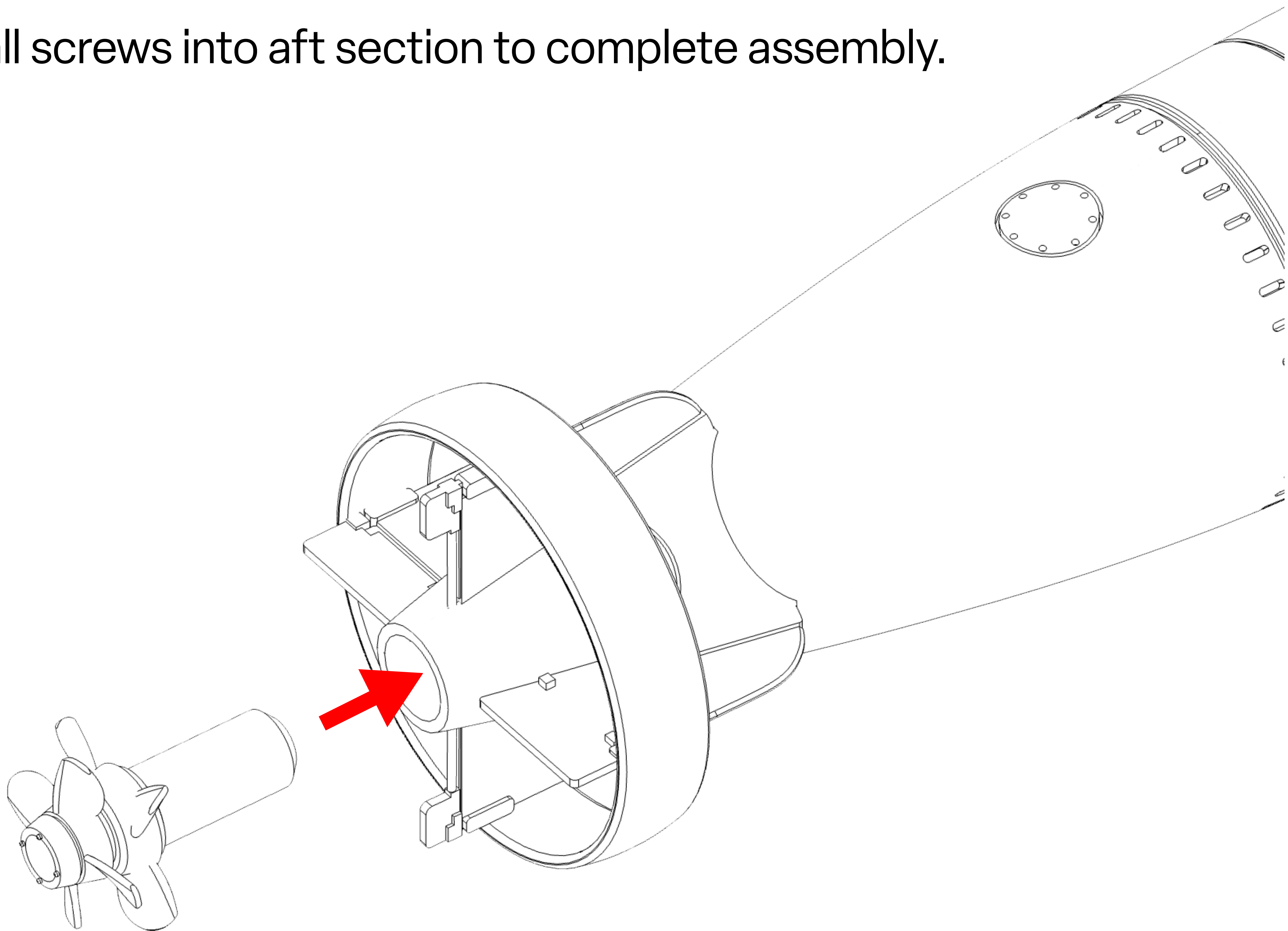
3. Insert crosspiece through ring opening.



4. Connect body sections using Connector 1 and Connector 2.



5. Install screws into aft section to complete assembly.



About the Mark 13 Aerial Torpedo

The Mark 13 was the standard U.S. Navy aerial torpedo of World War II, carried principally by the TBD Devastator and TBF/TBM Avenger torpedo bombers. Compact compared to earlier torpedoes, the Mk.13 was initially plagued by reliability problems, and had a successful run rate of barely 30%. Successive field modifications dramatically improved its performance into a highly reliable weapon.

DS132005 – Mk.13 Aerial Torpedo (Ring Tail)

This “ring tail” version features both the plywood drag ring around the nose and a circular tail shroud designed by Caltech. Together these modifications transformed the Mark 13’s performance, raising its successful run rate from roughly 30% to nearly 100%. It was widely used from 1944 through the end of the war.

*For other versions, see DS132004 (Mk. 13 Early), DS132006 (Mk. 13 Box Tail).
Find these and additional products at www.doogsstudios.com.*

